

Dock

The Dock is a compact charging- and synchronisation station that can hold up to 10 Podcatchers.

Specifications

Power

DC 5V, 1000mA

Data interface

USB 2.0

Capacity

Up to 10 Podcatcher can be charged and synchronised.

Installation

The Dock can be placed on a flat surface (table-top) or wall-mounted. Do not mount the Dock in a closed environment, always make sure fresh air can enter and warm air can escape.

Physical characteristics

Dimensions without Podcatchers

140 x 185 x 60 mm (W x H x D)

5.51 x 7.28 x 2.36" (W x H x D)

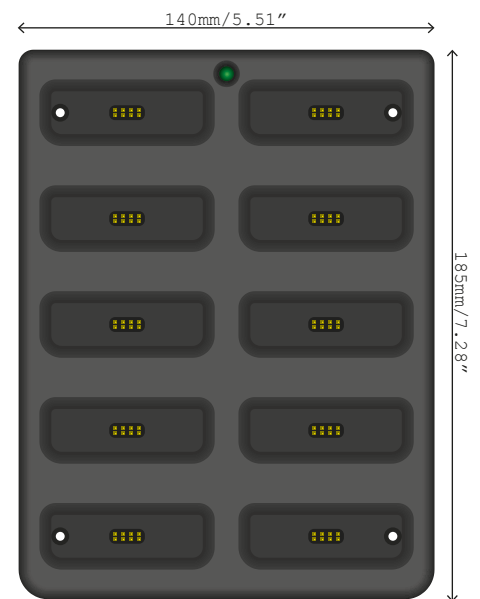
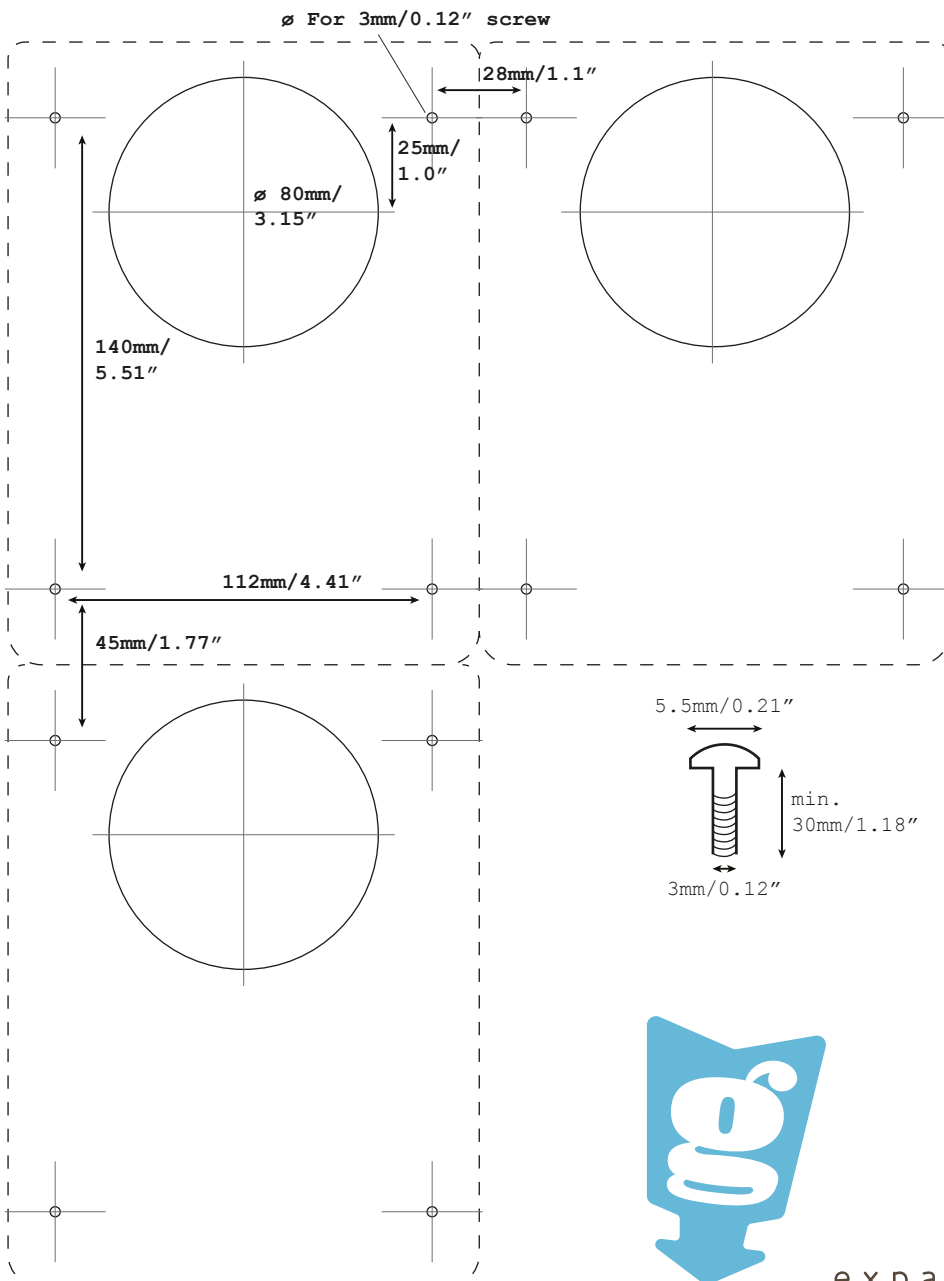
Dimensions with Podcatchers

140 x 185 x 140 mm (W x H x D)

5.51 x 7.28 x 5.51" (W x H x D)

Weight (Dock only)

385 gr. / 0,847 lbs



GUIDE·ID
expanding your horizons